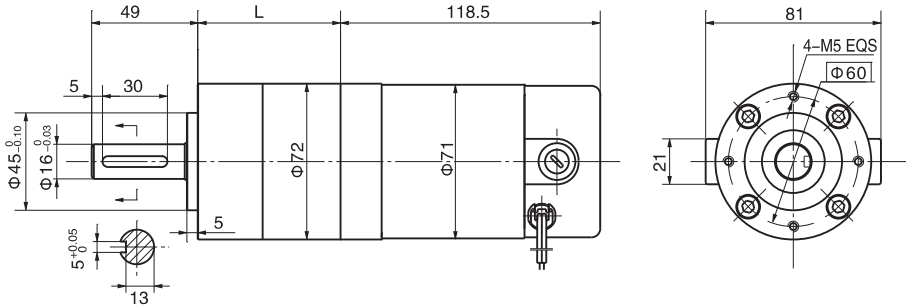


# 永磁直流行星齿轮电机 PM DC Planetary Gear Motor

## 72JX850K/71ZY110

Φ72行星齿轮减速器, 允许转矩范围: 85N.m  
72mm OD Planetary Gearhead,  
Permissible Load Range: 85N.m

### ● 外形和安装尺寸 Dimensions



### ● 电动机主要技术参数 Motor Technical Data

电机型号 Type	额定电压 Rated voltage VDC	空载转速 No-load speed r/min	空载电流 No-load current A	额定转速 Rated speed r/min	额定转矩 Rated torque N.m	输出功率 Output power W	额定电流 Rated current A	堵转转矩 Stall torque N.m	堵转电流 Stall current A
71ZY110-2420	24	2000	0.40	1600	0.20	33	2.4	1.0	9.5
71ZY110-2430	24	3000	0.50	2600	0.24	59	3.5	1.2	14

### ● 齿轮减速电机主要技术参数 Gear Motor Technical Data

配置71ZY110-2420直流电机 (71ZY110-2420 DC Motor)

减速比 Reduction ratio	4	7	14	19	27	35	46	68	82	100	124	150	195	308
减速级数 Number of gear trains	1	1	2	2	2	2	2	3	3	3	3	3	3	3
减速器长度(L) Length(L)	mm	56	56	75.5	75.5	75.5	75.5	95.5	95.5	95.5	95.5	95.5	95.5	95.5
空载转速 No-load speed	r/min	500	286	143	105	74	57	43	29	24	20	16	13	10
额定转速 Rated speed	r/min	400	229	114	84	59	46	35	24	20	16	13	11	8
额定转矩 Rated torque	N.m	0.72	1.3	2.3	3.1	4.4	5.7	7.5	9.9	12	15	18	22	28
最大瞬间允许负载 Max. permissible load in a short time	N.m	45	45	120	120	120	120	120	240	240	240	240	240	240

配置71ZY110-2430直流电机 (71ZY110-2430 DC Motor)

减速比 Reduction ratio	4	7	14	19	27	35	46	68	82	100	124	150	195	308
减速级数 Number of gear trains	1	1	2	2	2	2	2	3	3	3	3	3	3	3
减速器长度(L) Length(L)	mm	56	56	75.5	75.5	75.5	75.5	95.5	95.5	95.5	95.5	95.5	95.5	95.5
空载转速 No-load speed	r/min	750	429	214	158	111	86	65	44	37	30	24	20	15
额定转速 Rated speed	r/min	600	343	171	126	89	69	52	35	29	24	19	16	12
额定转矩 Rated torque	N.m	0.86	1.5	2.7	3.7	5.2	6.8	8.9	12	14	18	22	26	34
最大瞬间允许负载 Max. permissible load in a short time	N.m	45	45	120	120	120	120	120	240	240	240	240	240	240